



PROFESSIONAL ICE SHAYER

Instruction Manual



GRATTOIR À GLACE PROFESSIONNEL

Manuel d'instructions

RASPADOR DE HIELO PROFESIONAL

Manual de instrucciones

Table of Contents

Important Safeguards.....	3
Additional Important Safeguards.....	4
Grounded 3-Conductor Plug.....	4
Notes on the Cord.....	4
Plasticizer Warning.....	4
Electric Power.....	4
Aloha! Say hello to fun treats & happiness.....	5
Getting to Know Your Professional Ice Shaver.....	5
Before Using for the First Time.....	6
Operating Instructions.....	6
User Maintenance Instructions.....	7
Care & Cleaning Instructions.....	7
Storing Instructions.....	7
Warranty.....	8

Table des matières

Importantes consignes de sécurité.....	9
Importantes consignes de sécurité supplémentaires.....	10
Fiche à trois broches mise à la terre.....	10
Remarques sur le cordon.....	10
Avertissement de migration de plastifiants.....	10
Alimentation électrique.....	10
Aloha! Voici des collations amusantes qui vous procureront bonheur.....	11
Se familiariser avec le grattoir à glace Professionnel.....	11
Avant la première utilisation.....	12
Mode d'emploi.....	12-13
Instructions d'entretien pour l'utilisateur.....	13
Instructions d'entretien et de nettoyage.....	13
Rangement.....	13
Garantie.....	14

Índice

Medidas de seguridad importantes.....	15-16
Otras medidas de seguridad importantes.....	16
Enchufe conductor de 3 patas con conexión a tierra.....	16
Notas sobre el cable.....	16
Advertencia sobre los plastificantes.....	16
Corriente eléctrica.....	16
¡Aloha! Diga hola a la diversión con dulces saludables.....	17
Conozca su raspador de hielo profesional.....	17
Antes de utilizar por primera vez.....	18
Instrucciones de funcionamiento.....	18
Instrucciones de mantenimiento para el usuario.....	19
Limpieza y mantenimiento.....	19
Instrucciones de almacenamiento.....	19
Garantía.....	20

IMPORTANT SAFEGUARDS

When using electrical appliances, basic safety precautions should always be followed, including the following:

- 1. READ ALL INSTRUCTIONS before using this appliance.**
- To protect against risk of electrical shock, do not put cord, plug, or appliance in water or other liquid.
- This appliance is not intended for use by persons (including children) with reduced physical, sensory or mental capabilities, or lack of experience and knowledge, unless they have been given supervision or instruction concerning use of the appliance by a person responsible for their safety.
- Children should be supervised to ensure that they do not play with the appliance.
- Unplug from outlet when not in use, before putting on or taking off parts, and before cleaning.
- Avoid contacting moving parts.
- Do not operate any appliance with a damaged cord or plug or after the appliance malfunctions, or is dropped or damaged in any manner. Bring it to a qualified technician for examination, repair or electrical or mechanical adjustment.
- The use of attachments not recommended or sold by the manufacturer may cause fire, electric shock or injury.
- Do not use outdoors.
- Do not let cord hang over edge of table or counter.
- Do not place this appliance on or near a hot gas or electric burner, or where it could touch a heated oven.
- Blades are sharp. Use extreme caution while operating and cleaning.

WARNING! To reduce the risk of severe injury to persons or damage to the unit, keep hands and utensils out of the ice chamber while the Ice Shaver is in operation.

- Never place fingers or other utensils into feed or discharge areas.
- Check ice chamber for presence of foreign objects before using.
- WARNING:** To prevent damage to the Ice Shaver, never turn the Professional Ice Shaver ON when the ice chamber is empty.
- CAUTION:** Do not overfill the machine or exceed the maximum ice capacity. The lid should fit and lock easily onto the ice chamber.
- WARNING:** The machine is only intended to shave ice only. Never place any other ingredients into the ice chamber as damage will occur.
- CAUTION:** Never operate the Ice Shaver without first locking the clear lid.
- Do not leave appliance unattended while it is operating.
- Do not run the motor of The Professional Ice Shaver for longer than 1 minute. If you are preparing a large amount of shaved ice, allow the unit to cool for 5 minutes before shaving more ice.
- After every use, check to make sure there is no ice remaining in the ice chamber.

SAVE THESE INSTRUCTIONS FOR HOUSEHOLD USE ONLY

ADDITIONAL IMPORTANT SAFEGUARDS

1. All users of this appliance must read and understand this instruction manual before operating or cleaning this appliance.
2. Plug unit into a 120V AC 3-prong electrical outlet.
3. Do not leave this appliance unattended during use.
4. If this appliance begins to malfunction during use, immediately release the ON button and unplug the cord. Do not use or attempt to repair the malfunctioning appliance.
5. If this appliance falls or accidentally becomes immersed in water, unplug it immediately. Do not reach into the water! Do not use this appliance after it has fallen into or becomes immersed in water.
6. To reduce the risk of injury to persons or property, never use this appliance in an unstable position.
7. Do not use this appliance for other than its intended use.
8. Check to make sure the snow guide is in position before using the Ice Shaver.

Grounded 3-Conductor Plug

This appliance is equipped with a grounded-type 3-wire cord (3-prong plug). This plug will only fit into an electrical outlet made for a 3-prong plug. This is a safety feature. If the plug should fail to fit the outlet, contact an electrician to replace the obsolete outlet. Do not attempt to defeat this safety feature.

Notes on the cord

The provided short power-supply cord should be used to reduce the risk resulting from becoming entangled in or tripping over a longer cord. Do not use an extension cord with this product.

CAUTION: The cord should be arranged so that it will not drape over the countertop or tabletop where it can be pulled on by children or tripped over unintentionally.

Plasticizer warning

CAUTION: To prevent Plasticizers from migrating from the finish of the counter upper or table upper or other furniture, place NON-PLASTIC coasters or place mats between the appliance and the finish of the counter upper or table upper. Failure to do so may cause the finish to darken; permanent blemishes may occur or stains can appear.

Electric Power

If the electrical circuit is overloaded with other appliances, your appliance may not operate properly. It should be operated on a separate electrical circuit from other appliances.

Aloha! Say hello to fun treats& happiness.

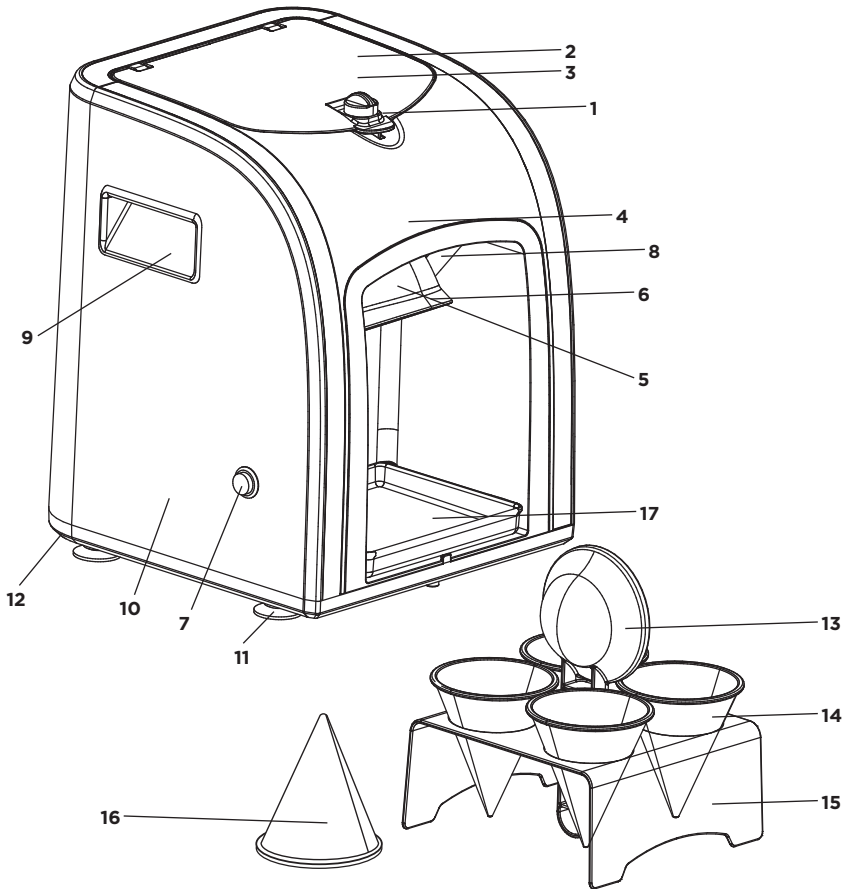
The Professional Ice Shaver is a powerful ice shaver that produces fine, light and fluffy textured snow for all your favorite icy treats. Prepare snow cones, frozen drinks, slushies, creamy yogurt freezes, milk shakes, breakfast smoothies, and workout energy drinks in minutes. Create fun rainbow drinks and cones by combining layers of flavors and colors. Fun and entertaining, the Professional Ice Shaver is perfect for home, office, parties, family gatherings, and picnics.

Getting to Know Your Professional Ice Shaver

Product may vary slightly from illustration

Figure 1

- | | | |
|----------------------------------|-------------------------------------------------|---------------------------------------|
| 1. Lid Lock | 7. Red ON Button | 13. Stainless Steel Snow Cone Shaper |
| 2. Clear Lid | 8. LED Lights | 14. 4 BPA-Free Reusable Serving Cones |
| 3. Ice Chamber (not shown) | 9. Carry Handles | 15. Plastic Cone Stand |
| 4. Ice Shaving Blade (not shown) | 10. Main Housing | 16. 12 Paper Cones |
| 5. Spout (not shown) | 11. Non-Slip Feet | 17. Removable Drip Tray |
| 6. Removable Snow Guide | 12. Electric Cord with 3 Prong Plug (not shown) | |



Before Using for the First Time

1. Carefully unpack the Professional Ice Shaver and remove all packaging materials.
WARNING! To reduce the risk of severe injury, keep hands out of the ice chamber. Never place fingers or other utensils into feed or discharge areas.
2. Turn the clear snow guide clockwise to remove. Wash plastic cones, removable drip tray, removable snow guide in warm, soapy water; rinse and dry thoroughly.
3. Attach the snow guide to the spout by it rotating counter-clockwise. Replace clean drip tray under the snow guide.
4. Wipe the exterior of the Professional Ice Shaver with a clean, damp, non-abrasive cloth or sponge and dry thoroughly.
5. Place the Professional Ice Shaver on a clean, flat surface near an electrical outlet.
6. The Professional Ice Shaver is now ready for use.

Operating Instructions

1. Check to make sure the snow guide is securely attached to the spout. Turn the snow guide counter-clockwise to tighten. Replace clean drip tray under the snow guide.
2. Gather your plastic or paper snow cones, ice cubes, syrups and drink mixes, snow cone stand, straws, snow cone scoop glasses or a serving pitcher for frozen drinks.
3. Turn the lid lock clockwise to unlock. Open the lid. Add the desired amount of ice into the ice chamber. Close the lid. Turn the lid lock knob counter-clockwise to lock.
NOTE: The ice chamber has a capacity of approximately 32 large ice cubes (1.85"X1.22"X1.02") or 3-1/2 cups of smaller cubes. This will produce enough ice for 5 snow cones or shaved ice drinks.
4. For best performance, smaller size ice cubes will feed more smoothly into the ice chamber. Larger cubes of ice may shave less consistently or will generate more noise and vibration. Larger chunks of ice must be broken into individual cubes before putting them in the ice chamber. Always make sure to leave a 1 inch clearance between the lid and the ice cubes.
WARNING: To prevent damage to the Professional Ice Shaver, never turn the Professional Ice Shaver ON when the ice chamber is empty.
CAUTION: Do not overfill the machine or exceed the maximum ice capacity. The lid should fit and lock easily onto the ice chamber.
WARNING: The machine is only intended to shave ice only. Never place any other ingredients into the ice chamber as damage will occur.
CAUTION: Never operate the Professional Ice Shaver without first locking the clear lid. Turn the lid lock knob clockwise to lock.
5. Plug unit into a 120 V AC 3-prong electrical outlet.

Preparing Snow Cones / Frozen Drinks

Hold a clean plastic cone or drink glass directly under the clear snow guide.

1. Press the ON button on the side of the unit. The button will glow red, 4 LED lights in the front of the Professional Ice Shaver will illuminate and fine, light and fluffy snow will begin to fall into the cone.
2. When enough snow has filled the cone or glass, release the ON button. Holding the cone or glass over the drip tray, cup the top of the snow cone or frozen drink with the shaper.
3. Add your favorite syrup(s), fresh fruit juices, flavorings to the top of the cones/drinks and enjoy. For fun rainbow treats, collect shaved ice on the bottom of the cones or drinks. Add the first flavor syrup or juice. Shave the next layer of ice over the first. Add another flavor or juice. The possibilities are endless!
4. The snow cone stand is helpful when preparing multiple cones. Place cones securely in each holder to serve.

USER MAINTENANCE INSTRUCTIONS

This appliance requires little maintenance. It contains no user-serviceable parts. Any servicing requiring disassembly other than cleaning must be performed by a qualified appliance repair technician.

Care & Cleaning Instructions

1. Unplug the Professional Ice Shaver before cleaning.
2. Never immerse the main housing in water or other liquid.
3. Unlock the lid and open. Check to make sure there is no ice remaining in the ice storage container.
4. **ICE BLOCKAGES:** If ice gets blocked in the ice chamber, do not try and dislodge; do not force the motor to operate and do not place fingers or utensils into the ice chamber or snow guide.
5. Allow 5 minutes for the ice to start melting and try turning on the machine again to see if the ice will dislodge itself. If still stuck wait another 5-10 minutes and try running the motor again.
6. Since only ice made from water should be used in the unit, minimal cleaning should be required. When done using the Professional Ice Shaver, wipe dry with a soft cloth the clear lid, removable snow guide, the ice chamber (do not try drying close to the blades), etc. Always leave the lid open for a few hours after use so, the inside of the unit can completely dry out. Never close the lid and put the unit away when it is still wet. If any syrups, juice, etc. gets on any the parts of the unit, use warm soapy water with mild detergent on a soft cloth to clean, and then wipe dry.
WARNING: To avoid injuries, never insert your fingers, cleaning rags or towels into the ice chamber.
7. Hand wash plastic cones, cone stand, drip tray, snow shaper and snow guide in warm, soapy water. Rinse and dry thoroughly.
8. For your convenience, the plastic cones, snow shaper and snow guide are top-rack dishwasher safe.
9. Wipe the housing and non-slip feet with a clean and soft dry cloth.
10. Do not scour surfaces with steel wool or use abrasive cleaners.
WARNING: The ice shaving blade is very sharp. Never attempt to sharpen the blade as injury may occur and the warranty will be invalidated.

Storing Instructions

1. Unplug unit.
2. Store the Professional Ice Shaver fully assembled with lid locked on top of the ice chamber in its original box.
3. Store in a clean, dry place.
4. Do not wrap the cord or put any stress on cord where it enters unit, as this could cause cord to fray and break.



Limited TWO-YEAR Warranty

SENSIO Inc. hereby warrants that for a period of **TWO YEARS** from the date of purchase, this product will be free from mechanical defects in material and workmanship, and for 90 days in respect to non-mechanical parts. At its sole discretion, SENSIO Inc. will either repair or replace the product found to be defective, or issue a refund on the product during the warranty period.

The warranty is only valid for the original retail purchaser from the date of initial retail purchase and is not transferable. Keep the original sales receipt, as proof of purchase is required to obtain warranty validation. Retail stores selling this product do not have the right to alter, modify, or in any way revise the terms and conditions of the warranty.

EXCLUSIONS:

The warranty does not cover normal wear of parts or damage resulting from any of the following: negligent use of the product, use of improper voltage or current, improper routine maintenance, use contrary to the operating instructions, disassembly, repair, or alteration by anyone other than qualified SENSIO Inc. personnel. Also, the warranty does not cover Acts of God such as fire, floods, hurricanes, or tornadoes.

SENSIO Inc. shall not be liable for any incidental or consequential damages caused by the breach of any express or implied warranty. Apart from the extent prohibited by applicable law, any implied warranty of merchantability or fitness for a particular purpose is limited in time to the duration of the warranty. Some states, provinces or jurisdictions do not allow the exclusion or limitation of incidental or consequential damages, or limitations on how long an implied warranty lasts, and therefore, the above exclusions or limitations may not apply to you. The warranty covers specific legal rights which may vary by state, province and/or jurisdiction.

HOW TO OBTAIN WARRANTY SERVICE:

You must contact Customer Service at our toll-free number: 1-866-832-4843. A Customer Service Representative will attempt to resolve warranty issues over the phone. If the Customer Service Representative is unable to resolve the problem, you will be provided with a case number and asked to return the product to SENSIO Inc. Attach a tag to the product that includes: your name, address, daytime contact telephone number, case number, and description of the problem. Also, include a copy of the original sales receipt. Carefully package the tagged product with the sales receipt, and send it (with shipping and insurance prepaid) to SENSIO Inc.'s address. SENSIO Inc. shall bear no responsibility or liability for the returned product while in transit to SENSIO Inc.'s Customer Service Center.

IMPORTANTES CONSIGNES DE SÉCURITÉ

Toujours respecter les consignes de sécurité de base au moment d'utiliser des appareils électriques, y compris celles-ci :

1. Lire toutes les consignes attentivement.

2. Pour prévenir tout risque de décharge électrique, ne pas immerger le cordon, la prise ou l'appareil dans de l'eau ou dans d'autres liquides.
3. Cet appareil n'est pas destiné à être utilisé par des personnes (y compris les enfants) dont les capacités physiques, sensorielles ou mentales sont limitées ou qui ne possèdent ni l'expérience, ni les compétences nécessaires pour utiliser l'appareil, à moins qu'elles soient supervisées ou qu'elles aient reçu des directives d'utilisation adéquates de l'appareil par la personne responsable de leur sécurité.
4. Surveiller les enfants pour éviter qu'ils jouent avec l'appareil.
5. Débrancher l'appareil de la prise lorsqu'il n'est pas utilisé, avant de poser ou de retirer des pièces et avant de le nettoyer.
6. Éviter d'entrer en contact avec les pièces en mouvement.
7. Ne pas utiliser l'appareil lorsque le cordon ou la fiche électrique est endommagé, après une défectuosité ou une chute, ou lorsque l'appareil a été détérioré de quelque façon que ce soit. Confier plutôt son examen, sa réparation ou son réglage électrique ou mécanique à un technicien qualifié.
8. L'utilisation d'accessoires non recommandés ou non vendus par le fabricant peut provoquer un incendie, une décharge électrique ou des blessures.
9. Ne pas utiliser à l'extérieur.
10. Ne pas laisser le cordon pendre d'un bord de table ou d'un comptoir.
11. Ne pas placer cet appareil sur ou à proximité d'un brûleur électrique ou à gaz ni dans un endroit où il pourrait entrer en contact avec un four chaud.
12. Les lames sont tranchantes. Faire preuve d'une extrême prudence lors de l'utilisation et du nettoyage de l'appareil.

AVERTISSEMENT! Afin de réduire le risque de blessures graves ou de dommages à l'appareil, garder les mains et les ustensiles à l'extérieur du récipient à glace pendant que le grattoir à glace fonctionne.

13. Ne jamais mettre les doigts ou d'autres ustensiles dans les zones servant à l'alimentation ou à la décharge.
14. S'assurer qu'il n'y a pas d'objet dans le récipient à glace avant d'utiliser l'appareil.
15. **AVERTISSEMENT :** Afin de ne pas endommager le grattoir à glace, ne jamais mettre le Grand gel en marche lorsque le récipient est vide.
16. **MISE EN GARDE :** Ne pas trop remplir l'appareil ou dépasser la capacité de glace maximale. Le couvercle devrait s'insérer et se verrouiller facilement sur le récipient à glace.
17. **AVERTISSEMENT :** Cet appareil est conçu pour gratter de la glace seulement. Ne jamais mettre d'autres ingrédients dans le récipient à glace puisque cela pourrait endommager l'appareil.
18. **MISE EN GARDE :** Ne jamais faire fonctionner le grattoir à glace sans avoir tout d'abord verrouillé le couvercle transparent.
19. Ne pas laisser l'appareil sans surveillance lorsqu'il est en marche.
20. Ne pas faire fonctionner le moteur du grattoir à glace professionnel pendant plus d'une minute. Pour préparer une grande quantité de glace, laisser l'appareil refroidir pendant cinq minutes avant de gratter d'autre glace.

POUR USAGE DOMESTIQUE SEULEMENT

CONSERVER CES INSTRUCTIONS

IMPORTANTES CONSIGNES DE SÉCURITÉ SUPPLÉMENTAIRES

1. Tous les utilisateurs de cet appareil doivent lire et comprendre ce mode d'emploi avant de l'utiliser ou de le nettoyer.
2. Brancher l'appareil dans une prise c.a. à trois trous de 120 V.
3. Ne pas laisser l'appareil sans surveillance pendant qu'il est en marche.
4. Si l'appareil se met à fonctionner anormalement pendant son utilisation, lâcher immédiatement le bouton ON (marche) et débrancher le cordon. Ne pas utiliser ni tenter de réparer l'appareil défectueux.
5. Débrancher immédiatement l'appareil s'il tombe ou s'il est immergé accidentellement dans de l'eau. Ne pas plonger la main dans l'eau! Ne pas utiliser l'appareil après qu'il soit tombé ou qu'il soit immergé dans l'eau.
6. Afin de réduire les risques de blessures ou de dommages, ne jamais utiliser l'appareil dans une position instable.
7. Ne pas utiliser l'appareil à une fin autre que celle pour laquelle il a été conçu.
8. S'assurer que le guide pour la glace est en position avant d'utiliser le grattoir à glace.

Fiche à trois broches mise à la terre

Cet appareil est doté d'un cordon à trois fils (fiche à trois broches) mis à la terre. Cette fiche pourra uniquement être insérée dans une prise électrique conçue pour une fiche à trois broches. Ceci est une caractéristique de sécurité. Si la fiche n'est pas compatible avec la prise, communiquer avec un électricien pour faire remplacer la prise obsolète. Ne tenter d'aucune façon de modifier la fiche.

Remarques sur le cordon

Le cordon court fourni doit être utilisé afin de prévenir tout risque d'enchevêtrement ou de trébuchement sur un plus long cordon. Ne pas utiliser de rallonge avec ce produit.

Avertissement de migration de plastifiants

MISE EN GARDE : Pour éviter la migration de plastifiants du fini de comptoirs, de tables ou de tout autre meuble, placer des sous-plats ou des napperons faits de matière NON PLASTIQUE entre l'appareil et le dessus du comptoir ou de la table. Si cette consigne n'est pas respectée, le fini de la surface pourrait noircir et des ternissures permanentes ou des taches indélébiles pourraient se former.

Alimentation électrique

Si le circuit électrique est surchargé parce qu'il doit également alimenter d'autres appareils, cet appareil pourrait ne pas fonctionner correctement. Il doit être alimenté par un circuit électrique distinct de tout autre appareil.

Aloha! Voici des collations amusantes qui vous procureront santé et bonheur.

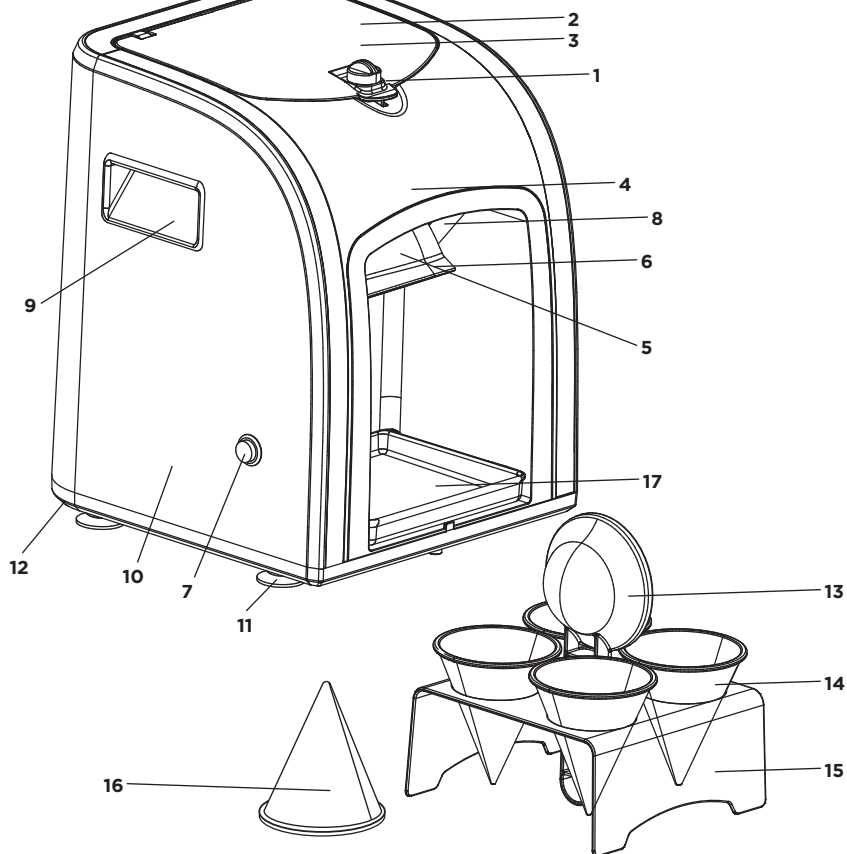
Le Grand gel ... un grattoir à glace qui produit de la glace texturée fine et légère pour toutes les friandises glacées favorites. Il permet de préparer des cornets de glace, des boissons glacées, des barbotines, des yogourts glacés crémeux, des laits frappés, des smoothies déjeuners et des boissons énergisantes pour l'entraînement en quelques minutes. Il est aussi possible de créer des boissons et des cornets arc-en-ciel amusants en combinant plusieurs couches de saveurs et de couleurs. Amusant et divertissant, le grattoir à glace Grand gel hawaïen est parfait pour la maison, le bureau, les fêtes, les rassemblements familiaux et les pique-niques.

Se familiariser avec le grattoir à glace Grand gel Hawaïen

Le produit pourrait être légèrement différent de l'illustration

Figure 1

- | | | |
|-----------------------------------------------|-----------------------------------------------------------------|--------------------------------------------------------------------------|
| 1. Attache de couvercle | 7. Bouton rouge ON (marche) | 13. Outil de mise en forme en acier inoxydable pour les cornets de glace |
| 2. Couvercle transparent | 8. Voyants à DEL | 14. 4 cornets de service réutilisable sans BPA |
| 3. Récipient à glace (non illustrée) | 9. Poignées de transport | 15. Support à cornets en plastique |
| 4. Lame pour gratter la glace (non illustrée) | 10. Boîtier principal | 16. 12 cornets en papier |
| 5. Bec verseur (non illustrée) | 11. Pieds antidérapants | 17. Bac d'égouttement amovible |
| 6. Guide amovible pour la glace | 12. Cordon d'alimentation avec fiche à 3 broches (non illustré) | |



Avant la première utilisation

1. Déballez soigneusement le grattoir à glace Grand gel hawaïen et retirez tous les matériaux d'emballage.
AVERTISSEMENT! Afin de réduire le risque de blessure grave, tenir les mains éloignées du récipient à glace. Ne jamais mettre les doigts ou d'autres ustensiles dans les zones servant à l'alimentation ou à la décharge.
2. Faire pivoter le guide pour la glace transparent dans le sens des aiguilles d'une montre pour le retirer. Laver les cornets, le plateau d'égouttement amovible et le guide pour la glace amovible dans de l'eau chaude savonneuse, rincer puis bien sécher.
3. Fixer le guide pour la glace au bec verseur en le faisant tourner dans le sens contraire des aiguilles d'une montre. Remettre le plateau d'égouttement propre en place sous le guide pour la glace.
4. Essuyer l'extérieur du grattoir à glace à l'aide d'une éponge ou d'un chiffon propre, humide et non abrasif et sécher soigneusement.
5. Déposer le grattoir à glace Grand gel hawaïen sur une surface propre et plane à proximité d'une prise électrique murale.
6. Le grattoir à glace Grand gel hawaïen est maintenant prêt à être utilisé.

Mode d'emploi

1. S'assurer que le guide pour la glace est bien fixé au bec verseur. Faire pivoter le guide pour la glace dans le sens contraire des aiguilles d'une montre pour le serrer. Remettre le plateau d'égouttement propre en place sous le guide pour la glace.
2. Rassembler les cornets à glace en plastique ou en papier, des cubes de glace, des sirops, des mélanges à boisson, le support à cornet, des pailles, un verre pour la cuillère à glace ou un pichet pour servir les boissons glacées.
3. Tourner l'attache du couvercle dans le sens contraire des aiguilles d'une montre pour le déverrouiller. Ouvrir le couvercle. Ajouter la quantité désirée de glace dans le récipient à glace. Fermer le couvercle. Tourner le bouton de l'attache du couvercle dans le sens des aiguilles d'une montre pour le verrouiller.
REMARQUE : Le récipient à glace a une capacité de approximativement 32 gros cubes de glace ou de 3-1/2 de tasse de petits cubes. Cette quantité produira suffisamment de glace pour cinq cornets ou boissons de glace grattée.
4. Pour une meilleure performance, utiliser de petits cubes de glace qui alimenteront progressivement le récipient à glace. Les cubes de glace plus gros seront grattés de manière moins uniforme ou produiront plus de bruit et de vibration. Les gros morceaux de glace doivent être brisés en cubes individuels avant d'être déposés dans le récipient à glace. Toujours laisser un espace libre de 2,54 cm (1 po) entre le couvercle et les cubes de glace.
AVERTISSEMENT : Afin de ne pas endommager le grattoir à glace, ne jamais mettre le Grand gel hawaïen en marche lorsque le récipient est vide.
MISE EN GARDE : Ne pas trop remplir l'appareil ou dépasser la capacité de glace maximale. Le couvercle devrait s'insérer et se verrouiller facilement sur le récipient à glace.
AVERTISSEMENT : Cet appareil est conçu pour gratter de la glace seulement. Ne jamais mettre d'autres ingrédients dans le récipient à glace puisque cela pourrait endommager l'appareil.
MISE EN GARDE : Ne jamais faire fonctionner le grattoir à glace sans avoir tout d'abord verrouillé le couvercle transparent. Tourner le bouton de l'attache du couvercle dans le sens des aiguilles d'une montre pour le verrouiller.
5. Brancher l'appareil dans une prise c.a. à trois trous de 120 V.
6. Préparation des cornets de glace et des boissons glacées. Tenir un cornet en plastique propre ou un verre directement sous le guide pour la glace transparent.
7. Appuyer sur le bouton ON (marche) se trouvant sur le côté de l'appareil. Le voyant rouge s'allumera ainsi que les quatre voyants à DEL à l'avant du grattoir à glace, puis de la glace fine et légère commencera à tomber dans le cornet.
8. Relâcher le bouton ON lorsqu'il y a suffisamment de glace dans le cornet ou le verre. En tenant le cornet ou le verre par-dessus le plateau d'égouttement, bombez le dessus du cornet ou de la boisson glacée à l'aide de l'outil de mise en forme.
9. Ajouter des sirops, des jus de fruits frais et des arômes sur le dessus des cornets ou des boissons puis déguster. Pour obtenir des friandises arc-en-ciel amusantes, recueillir de la glace grattée au fond du cornet ou de la boisson. Ajouter une première saveur de sirop ou du jus. Gratter la couche de glace suivante par-dessus la première. Ajouter une autre saveur ou un autre jus. Les possibilités sont infinies!
10. Le support à cornets de glace est très utile pour préparer plusieurs cornets. Déposer chaque cornet dans les porte-cornets puis servir.

11. Lorsque la préparation des cornets de glace et des boissons glacées est terminée, débrancher l'appareil.
12. Ne pas faire fonctionner le moteur du grattoir à glace pendant plus de cinq minutes consécutives. Pour la préparation d'une grande quantité de glace grattée, laisser l'appareil refroidir pendant trois minutes entre les cycles.

Instructions d'entretien pour l'utilisateur

L'appareil exige peu d'entretien. Il ne contient aucune pièce pouvant être réparée ou remplacée par l'utilisateur. Toute opération d'entretien qui exige le démontage de l'appareil, autre que le nettoyage, doit être exécutée par un technicien en réparation d'appareils ménagers qualifié.

Instructions d'entretien et de nettoyage

1. Débrancher le grattoir à glace avant le nettoyage.
2. Ne jamais immerger le boîtier principal dans de l'eau ou tout autre liquide.
3. Déverrouiller le couvercle puis l'ouvrir. S'assurer qu'il ne reste pas de glace dans le récipient de glace.
4. **BLOCAGES DE GLACE** : Dans le cas où de la glace resterait coincée dans le récipient, ne pas essayer de la déloger, ne pas forcer le moteur à fonctionner et ne pas mettre les doigts ou des ustensiles dans la chambre à glace ou le guide pour la glace.
5. Déposer un récipient de deux tasses sur le plateau d'égouttement et sous le guide pour la glace. Verser doucement et lentement 1/2 tasse d'eau chaude dans le récipient à glace et la laisser s'écouler. Essayer de faire fonctionner le moteur à nouveau pour débloquer. Si la glace est toujours coincée, laisser des intervalles de 15 minutes entre les tentatives de redémarrage du moteur pour libérer le blocage.
6. Le récipient à glace doit être nettoyé après chaque utilisation. Déposer un récipient de deux tasses sur le plateau d'égouttement et sous le guide pour la glace. Verser une tasse d'eau propre mélangée à quelques gouttes de détergent doux dans le récipient à glace puis laisser l'eau s'écouler vers le plateau d'égouttement. Répéter cette étape avec deux tasses d'eau propre. Il n'est pas nécessaire d'essuyer ou de sécher le récipient à glace. Garder les mains et les ustensiles à l'extérieur du récipient à glace.
AVERTISSEMENT : Afin d'éviter les blessures, ne jamais insérer les doigts, des chiffons ou des serviettes dans le récipient à glace.
7. Laver les cornets en plastique, le support à cornets, le plateau d'égouttement, l'outil de mise en forme et le guide pour la glace dans de l'eau chaude savonneuse. Rincer et sécher soigneusement.
8. Pour plus de commodité, les cornets en plastique, l'outil de mise en forme et le guide pour la glace sont lavables dans le panier supérieur du lave-vaisselle.
9. Essuyer le boîtier et les pieds antidérapants avec un chiffon sec, propre et doux.
10. Ne pas récurer les surfaces avec une laine d'acier ou des nettoyeurs abrasifs.
AVERTISSEMENT : La lame pour gratter la glace est très coupante. Ne jamais tenter d'affûter la lame afin d'éviter les blessures et l'annulation de la garantie.

Rangement

1. Débrancher l'appareil.
2. Ranger le grattoir à glace Grand gel hawaïen entièrement assemblé avec le couvercle verrouillé sur le récipient à glace et dans la boîte d'origine.
3. Ranger dans un endroit propre et sec.
4. Ne pas enrouler ou tendre le cordon au point de raccordement avec l'appareil puisque le cordon pourrait s'effiler et briser.



Garantie limitée de DEUX ANS

SENSIO Inc. assure par la présente que le produit est garanti contre tout défaut de matériel et de fabrication pendant une période de **DEUX ANS** à compter de la date d'achat et contre tout défaut des pièces autres que mécaniques pendant 90 jours. À son entière discrétion, SENSIO Inc. réparera ou remplacera un produit défectueux, ou accordera un remboursement pour ce produit, pendant la période de la garantie.

Cette garantie s'applique uniquement à l'acheteur initial du produit, à compter de la date initiale de l'achat, et est incessible. Pour que la garantie soit valide, l'acheteur doit conserver le reçu de caisse original. Les magasins de détail qui vendent ce produit n'ont pas le droit de l'altérer ou de le modifier, ni de modifier de quelque façon les modalités de la garantie.

EXCLUSIONS :

La garantie ne couvre pas l'usure normale des pièces ou les dommages causés par une utilisation négligente du produit, le branchement sur un circuit de tension ou de courant inapproprié, un entretien de routine inadéquat, une utilisation contraire aux instructions de fonctionnement, de démontage et de réparation, ou par la modification du produit par une personne autre qu'un technicien qualifié de SENSIO Inc. De plus, la garantie ne couvre pas les cas de force majeure comme les incendies, les inondations, les ouragans et les tornades.

SENSIO Inc. ne pourra être tenue responsable de tout dommage indirect ou accessoire causé par la violation de toute garantie explicite ou implicite. Sauf dans la mesure où cela est interdit par la loi, toute garantie implicite concernant la valeur commerciale ou l'adéquation à la fin visée se limite à la durée de la garantie. Certains États et certaines provinces ou compétences administratives ne permettent pas l'exclusion ou la limitation des dommages indirects ou accessoires, ou les limitations quant à la durée des garanties implicites; par conséquent, les exclusions ou limitations mentionnées précédemment peuvent ne pas s'appliquer à vous. La garantie couvre les droits légaux spécifiques qui peuvent varier selon l'état, la province ou la compétence administrative.

COMMENT OBTENIR UN SERVICE SOUS GARANTIE :

Communiquez avec le service à la clientèle en composant notre numéro sans frais : 1 866 832-4843. Un représentant du service à la clientèle tentera de résoudre par téléphone les questions relatives à la garantie. Si le représentant du service à la clientèle est incapable de résoudre le problème, il vous fournira un numéro de demande et vous informera que vous devez retourner le produit à SENSIO Inc. Apposez sur le produit une étiquette indiquant votre nom, votre adresse, votre numéro de téléphone (de jour), le numéro de demande ainsi qu'une description du problème. Incluez également une copie du reçu de caisse original. Emballez soigneusement le produit avec son reçu de caisse et faites-le parvenir (port et assurance payés) à l'adresse de SENSIO Inc. SENSIO Inc. n'assume aucune responsabilité quant au produit retourné pendant son transport jusqu'au centre de service à la clientèle de SENSIO Inc.

MEDIDAS DE SEGURIDAD IMPORTANTES

Siempre se deben seguir las precauciones básicas de seguridad cuando se usan artefactos eléctricos, incluso lo siguiente:

1. Lea todas las instrucciones

2. Para protegerse del riesgo de descarga eléctrica, no sumerja el cable, el enchufe ni la unidad en agua ni en ningún otro líquido.
3. Este electrodoméstico no debe ser utilizado por personas (incluidos niños) con capacidades físicas, sensoriales o mentales reducidas, o con falta de experiencia y conocimientos, a menos que una persona responsable de su seguridad les haya brindado supervisión o instrucciones sobre el uso de los electrodomésticos.
4. Los niños deben ser supervisados para asegurarse de que no juegan con el aparato.
5. Desenchufe el electrodoméstico del tomacorriente cuando no lo utilice, antes de colocarle o retirarle piezas o antes de limpiarlo.
6. Evite tocar las partes en movimiento.
7. No utilice ningún electrodoméstico que tenga un cable o enchufe dañado, que muestre un funcionamiento defectuoso o que se haya dañado de cualquier manera. Lleve el electrodoméstico a un técnico calificado para que lo examine, lo repare o le haga ajustes eléctricos o mecánicos.
8. El uso de accesorios no recomendados o vendidos por el fabricante puede causar fuego, descarga eléctrica o lesiones.
9. No utilice este aparato en exteriores.
10. No permita que el cable cuelgue del borde de una mesa o de una encimera ni que entre en contacto con superficies calientes.
11. No lo coloque sobre un quemador a gas o eléctrico, o cerca de este, ni dentro de un horno caliente.
12. Las hojas son filosas. Tenga extremo cuidado durante el ensamblado, funcionamiento, desarmado y limpieza.

¡PRECAUCIÓN! Para reducir el riesgo de lesiones graves a personas o daños al aparato, mantenga las manos y los utensilios fuera del compartimiento de hielo mientras el raspador está en funcionamiento.

13. Nunca coloque los dedos u otros utensilios en las áreas de alimentación o descarga.
14. Revise la presencia de objetos extraños en el compartimiento de hielo antes de usarlo.
15. **PRECAUCIÓN:** Para evitar daños al raspador de hielo, nunca encienda la Gran helada cuando el compartimiento de hielo esté vacío.
16. **PRECAUCIÓN:** No sobrellene la máquina ni exceda la capacidad máxima de hielo. La tapa debe encajar y bloquearse fácilmente en el compartimiento de hielo.
17. **PRECAUCIÓN:** La máquina sólo tiene la intención de raspar el hielo solamente. Nunca coloque ningún otro ingrediente en el compartimiento de hielo ya que el daño sucederá
18. **PRECAUCIÓN:** Nunca opere el raspador de hielo sin primero cerrar la tapa transparente.
19. No deje el aparato desatendido mientras está en funcionamiento.

20. No haga funcionar el motor del raspador por más de 1 minuto. Cuando se prepare una gran cantidad de hielo raspado, deje que el aparato se enfríe para 5 minutos entre usos.

PSOLO PARA EL USO DOMESTICO

GUARDE ESTAS INSTRUCCIONES

OTRAS MEDIDAS DE SEGURIDAD IMPORTANTES

1. Todos los usuarios de este electrodoméstico deben leer y comprender este manual de instrucciones antes de poner en funcionamiento o limpiar el aparato.
2. Enchufe la unidad en una toma eléctrica de 120V de CA de 3 terminales.
3. No deje este aparato desatendido durante el uso.
4. Si el aparato comienza a funcionar mal durante el uso, suelte inmediatamente el botón ON y desconecte el cable. No utilice ni intente reparar el aparato que funciona mal.
5. Si este aparato cae o se sumerge accidentalmente en agua, desenchúfelo inmediatamente. ¡No se meta en el agua! No utilice este aparato después de haber caído o sumergido en agua.
6. Para reducir el riesgo de lesiones personales o materiales, nunca use este aparato en una posición inestable.
7. No utilice este electrodoméstico para otro uso que no sea el previsto.
8. Asegúrese de que la guía de hielo esté en posición antes de usar el raspador de hielo.

Enchufe de 3 conductores con conexión a tierra

Este electrodoméstico cuenta con un tomacorriente de tres patas con conexión a tierra.

Este enchufe sólo encaja en una toma eléctrica hecha para un enchufe de 3 clavijas. Esta es una característica de seguridad. Si el enchufe no puede encajar en la toma eléctrica, póngase en contacto con un electricista para reemplazar la toma eléctrica obsoleta. No intente anular esta función de seguridad

Notas sobre el cable

Se debe usar el cable de alimentación corto provisto (o un cable de alimentación desmontable) para reducir el riesgo de enredarse o tropezarse con un cable más largo. No utilice un prolongador con este producto.

Advertencia sobre los plastificantes

PRECAUCIÓN: A fin de evitar que los plastificantes se adhieran al acabado de la encimera, la mesa u otro mueble, coloque un posafuentes o salvamanteles que NO SEA DE PLÁSTICO entre el electrodoméstico y la superficie de la encimera o mesa. Si no se hace esto, es posible que el acabado se oscurezca, se formen marcas permanentes o aparezcan manchas.

Corriente eléctrica

Si el circuito eléctrico está sobrecargado con otros artefactos, es posible que el electrodoméstico no funcione correctamente. El electrodoméstico debe funcionar en un circuito eléctrico separado de otros aparatos.

Aloha! *Diga hola a la diversión con dulces saludables.*

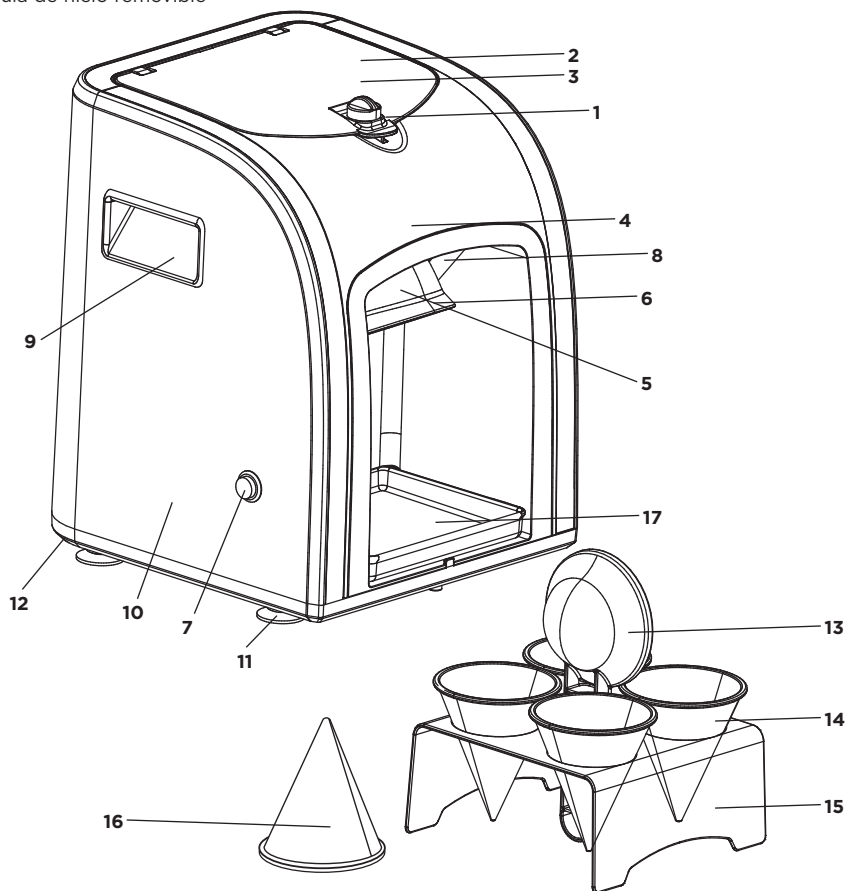
La gran helada ... un poderoso raspador de hielo que produce nieve fina, ligera y esponjosa para todos sus dulces favoritos. Prepare los raspados, bebidas congeladas, helados de yogur cremoso, batidos de leche, batidos de desayuno y bebidas energéticas de entrenamiento en minutos. Crear bebidas de colores divertidos y raspados combinando sabores y colores. Divertido y entretenido. El raspador de hielo hawaiano: La gran helada, es perfecto para la casa, oficina, fiestas, reuniones familiares y picnics.

Conozca su raspador de hielo hawaiano: la gran helada

El producto puede variar ligeramente con respecto a la ilustración

Figura 1

- | | | |
|------------------------------------------------|-------------------------------------------------------------|-------------------------------------|
| 1. Bloqueo de la tapa | 7. Botón de encendido rojo | 13. Raspador de acero inoxidable |
| 2. Tapa transparente | 8. Luces LED | 14. 4 conos reutilizable sin BPA |
| 3. Compartimiento de hielo (no mostrada) | 9. Mangos de transporte | 15. Soporte plástico de conos |
| 4. Cuchilla para raspar el hielo (no mostrada) | 10. Caja principal | 16. 12 conos de papel (no mostrada) |
| 5. Pico | 11. Patas antideslizante | 17. Bandeja de goteo extraíble |
| 6. Guía de hielo removible | 12. Cable eléctrico con enchufe de 3 clavijas (no mostrada) | |



Antes de utilizar por primera vez

1. Desempaque con cuidado el raspador de hielo hawaiano: la gran helada y quite todos los materiales de empaque.

¡PRECAUCIÓN! Para reducir el riesgo lesiones graves, mantén las manos fuera de la cámara de hielo. Nunca coloque los dedos u otros utensilios en las áreas de descargado y del mecanismo de alimentación.

2. Para quitarlo, sostenga o gire la guía de hielo en sentido horario. Lave los conos plásticos, la bandeja de goteo removible la guía de hielo en agua tibia y jabonosa; enjuague y seque completamente.
3. Para fijar la guía de hielo al pico, gírela en sentido antihorario. Sustituya la bandeja de goteo por debajo de la guía de hielo.
4. Limpie la parte externa del raspador con un trapo o esponja limpia, húmeda, no abrasiva y seque completamente.
5. Coloque la caja principal sobre una superficie limpia, estable y plana.
6. El raspador hawaiano de hielo: la gran helada está preparado para su uso.

Instrucciones de funcionamiento

1. Compruebe que la guía de hielo esté bien fijada al pico. Gire la guía de hielo en sentido antihorario contrario para apretarla. Reemplace la bandeja de goteo limpia debajo de la guía de nieve.
2. Recoja sus conos de hielo (en plástico o papel), cubitos de hielo, jarabes y mezclas de bebidas, soporte de conos, pajitas, pala de hielo o una jarra para bebidas congeladas.
3. Gire la tapa en sentido antihorario para desbloquear. Abra la tapa. Añada la cantidad de hielo que desee en el compartimiento de hielo. Cierre la tapa. Gire el bloqueo de la tapa en sentido horario para bloquear.

NOTA: El compartimiento de hielo tiene una capacidad aproximadamente de 32 cubitos de hielo grandes o 3-1/2 tazas de cubitos más pequeños. Esto hará suficiente hielo para 5 conos de hielo o bebidas de hielo raspado.

4. Para un mejor rendimiento, los cubitos de tamaño más pequeño se alimentan más fluidamente en el compartimiento de hielo. Los cubitos más grandes pueden raspar menos o hacer más ruido y vibración. Los trozos de hielo más grandes deben ser rotos en cubitos antes de ponerlos en el compartimiento de hielo. Deje siempre un espacio libre de 1 pulgada entre la tapa y los cubitos.

PRECAUCIÓN: Para prevenir daños al raspador de hielo hawaiano, nunca encienda el Big Freeze cuando el compartimiento de hielo esté vacío.

PRECAUCIÓN: No sobrellene la maquina ni exceda la capacidad máxima de hielo. La tapa debe encajar y bloquearse fácilmente en el compartimiento de hielo.

PRECAUCIÓN: La máquina sólo tiene la intención de raspar el hielo solamente. Nunca coloque ningún otro ingrediente en el compartimiento de hielo ya que sucederá algún daño.

PRECAUCIÓN: Nunca maneje el raspador de hielo sin cerrar la tapa transparente en primero. Gire el bloqueo de tapa en el sentido antihorario para bloquearla.

5. Enchufe la máquina en un tomacorriente eléctrico de 120V de CA con tres terminales.
6. **Preparación de raspados / bebidas congeladas**
Sostenga un cono de plástico o un vaso directamente bajo la guía de hielo transparente.
7. Pulse el botón ON en el lateral del aparato. El botón se iluminará en rojo, 4 luces LED en la parte delantera del raspador se iluminarán y nieve fina, ligera y esponjosa comenzará a caer en el cono. l'appareil.
8. Cuando haya suficiente nieve en el cono o vaso, suelte el botón ON. Sosteniendo el cono o vaso sobre la bandeja de goteo, cubra la parte superior del raspado o la bebida congelada con el moldeador.
9. Agregue su jarabe favorito, jugos de frutas, condimentos a la parte superior de los conos / bebidas y disfrute. Para las golosinas, recoja el hielo raspado en el fondo de los conos o de las bebidas. Agregue el primer jarabe o jugo. Raspe la siguiente capa de hielo sobre la primera. Agregue otro sabor o jugo. ¡Las posibilidades son infinitas!
10. El soporte de conos es útil cuando se preparan varios conos. Coloque bien los conos en cada soporte para servir.
11. Cuando termine de preparar los raspados y las bebidas congeladas, desenchufe el aparato cuando no esté en uso.
12. No haga funcionar el motor del raspador por más de 5 minutos consecutivos. Cuando se prepare una gran cantidad de hielo raspado, deje que el aparato se enfríe para 3 minutos entre usos.

Instrucciones de mantenimiento para el usuario

Este electrodoméstico requiere poco mantenimiento. No contiene piezas que el usuario pueda reparar. Cualquier servicio que requiera el desmontaje aparte de la limpieza debe ser realizado por un técnico calificado de reparación de electrodomésticos.

Instrucciones de cuidado y limpieza

1. Desenchufe el raspador antes de limpiarlo.
2. Nunca sumerja la caca principal en agua u otros líquidos
3. Desbloquee la tapa y ábrala. Compruebe que no haya hielo el compartimiento de hielo.
4. BLOQUEOS DE HIELO: Si el hielo se bloquea en el compartimiento de hielo, no intente de desalojar; No fuerce el motor para manejar y no coloque los dedos ni los utensilios en el compartimiento de hielo o la guía de hielo.
5. Coloque un recipiente de 2 tazas en la bandeja de goteo debajo la guía de hielo. Vierta lentamente 1/2 de agua caliente en el compartimiento de hielo y déjelo vaciar. Intente volver a poner en marcha el motor para liberar el bloqueo. Si el hielo sigue bloqueado, permita intervalos de 15 minutos entre intentos de reiniciar el motor para liberar el bloque.
6. El compartimiento de hielo debe limpiarse después de cada uso. Coloque un recipiente de 2 tazas en la bandeja de goteo debajo la guía de hielo. Vierta 1 taza de agua limpia mezclada con un par de gotas de detergente suave en el compartimiento de hielo y déjelo vaciar a través de la bandeja de goteo. Repita con 2 tazas de agua limpia. No hay necesidad de limpiar o secar el interior del compartimiento de hielo. Mantenga las manos y los utensilios afuera del compartimiento de hielo.

PRECAUCIÓN: Para evitar lesiones, nunca inserte los dedos, limpiando trapos o toallas en el compartimiento de hielo.

7. Lave los conos de plástico, soporte de cono, bandeja de goteo, moldeador de nieve y guía de hiel en agua tibia y jabón. Enjuague y seque completamente.
8. Para su comodidad, los conos de plástico, el moldeador de nieve y la guía de hielo son aptos para lavavajillas.
9. Limpie la caja y los pies antideslizantes con un trapo seco y suave.
10. No restriegue las superficies con lana de acero ni utilice limpiadores abrasivos.

PRECAUCIÓN: La cuchilla para raspar hielo es muy afilado. Nunca intente afilar la cuchilla, ya que pueden ocurrir lesiones y la garantía quedará invalidada.

Instrucciones de almacenamiento

1. Desenchufe la máquina.
2. Guarde el raspador de hielo hawaiano: la gran helada montado completamente con la tapa cerrada en la parte superior del compartimiento de hielo en su caja original.
3. Guarde en un lugar limpio y seco.
4. No enrosque ni aplique tensión en el cable en la parte que ingresa a la unidad, ya que el cable podría pelarse y romperse.



Garantía limitada de DOS AÑOS

Mediante la presente, SENSIO Inc. garantiza que, durante el plazo de **DOS AÑOS** a partir de la fecha de compra, este producto no presentará defectos mecánicos en el material ni en la mano de obra, y durante 90 días, no los presentará en las piezas no mecánicas. A su entera discreción, SENSIO Inc. reparará o reemplazará el producto que resulte defectuoso, o emitirá un reembolso por el producto durante el plazo de garantía.

Esta garantía es válida únicamente para el comprador minorista original a partir de la fecha de compra minorista inicial y no es transferible. Conserve el recibo de compra original, ya que se exige una prueba de compra para obtener la validación de la garantía. Las tiendas minoristas no tienen derecho a alterar, modificar ni corregir de ninguna manera los términos y condiciones de la garantía.

EXCLUSIONES:

La garantía no cubre el desgaste normal de las piezas ni el daño ocasionado por cualquiera de las siguientes causas: uso negligente del producto, uso de un voltaje o corriente incorrectos, mantenimiento de rutina inadecuado, uso contrario al de las instrucciones de funcionamiento, desarmado, reparación o alteración a cargo de personas que no sean miembros del personal calificado de SENSIO Inc. Asimismo, la garantía no cubre actos de la naturaleza, como incendios, inundaciones, huracanes o tornados.

SENSIO Inc. no asumirá responsabilidad por daños incidentales o resultantes ocasionados por la violación de cualquier garantía expresa o implícita. Salvo en la medida en que lo prohíban las leyes aplicables, cualquier garantía implícita de comerciabilidad o aptitud para un propósito particular se limita temporalmente a la duración de la garantía. Algunos estados, provincias o jurisdicciones no permiten la exclusión ni la limitación de daños incidentales o resultantes, o limitaciones sobre la duración de una garantía implícita y, por lo tanto, es posible que las exclusiones o limitaciones mencionadas no le correspondan. La garantía cubre derechos legales específicos que pueden variar de un estado, una provincia o una jurisdicción a otros.

CÓMO OBTENER EL SERVICIO DE GARANTÍA:

Debe comunicarse con el Servicio de atención al cliente a nuestro número telefónico gratuito: 1-866-832-4843. Un representante del Servicio de atención al cliente intentará resolver los problemas referidos a la garantía por teléfono. Si este no puede resolver el problema, le proporcionarán un número de caso y le solicitarán que devuelva el producto a SENSIO Inc. Adhiera una etiqueta al producto que incluya: su nombre, dirección, número telefónico de contacto durante el día, número de caso y descripción del problema. Además, incluya una copia del recibo de compra original. Envuelva cuidadosamente el producto etiquetado con el recibo de compra, y envíelo (con el envío y el seguro prepagados) a la dirección de SENSIO Inc. SENSIO Inc. no asumirá obligación ni responsabilidad alguna por el producto devuelto que esté en el trayecto hacia el Centro de servicio al cliente de SENSIO Inc.



For customer service questions or comments
Pour le service à la clientèle, question ou commentaires
Dudas o comentarios contactar el departamento de servicio al cliente
1-866-832-4843
sensioinc.com

Authentic Throwback Appliance Co.™ is a registered trademark of Sensio Inc.,
Montréal, Canada H3B 3X9. All rights reserved.

Authentic Throwback Appliance Co.™ est une marque déposée de Sensio Inc.,
Montréal, Canada H3B 3X9. Tous droits réservés.

Authentic Throwback Appliance Co.™ es una marca registrada de Sensio Inc.,
Montréal, Canada H3B 3X9. Todos los derechos reservados.

authenticthrowbackappliancecompany.com